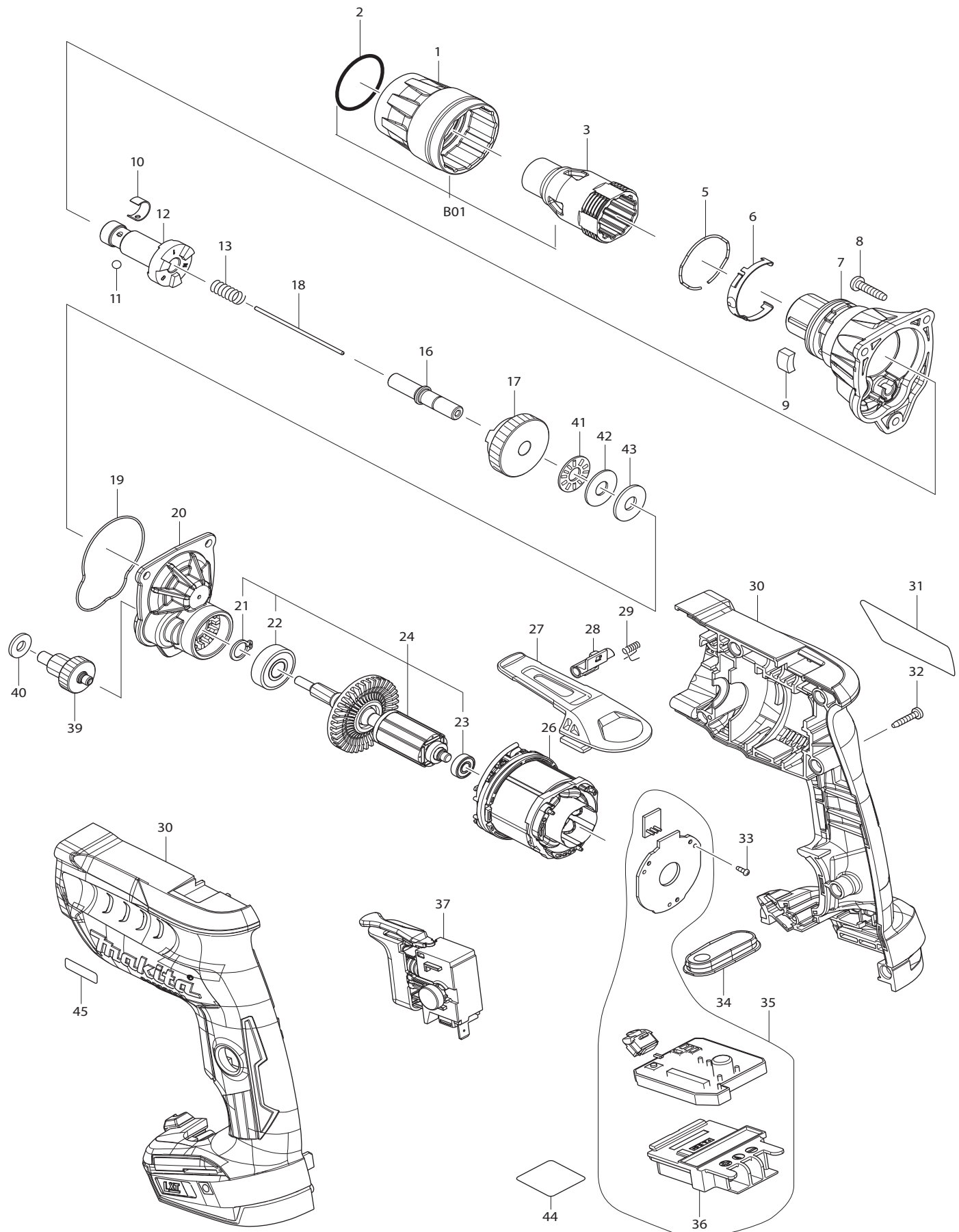




01 - 2017

DFS251Z

18V LXT Brushless Screwdriver



Item N	Type	Sub	Part No	Description	Qty	Unit
001			455591-0	LOCK RING	1	PC.
002			424235-3	SEAL RING 30	1	PC.
005			234348-0	RING SPRING 30	1	PC.
006			232245-4	LEAF SPRING	1	PC.
007			144157-8	GEAR HOUSING COMPLETE	1	PC.
		INC.	213139-2	DUST SEAL 13	1	PC.
008	2		265A48-7	TAPPING SCREW M4X18	3	PC.
009			423413-2	RUBBER PLATE	1	PC.
010			232050-9	LEAF SPRING	1	PC.
011			216001-0	STEEL BALL 3.5	1	PC.
012			326839-6	SPINDLE 180N	1	PC.
013			233126-5	COMPRESSION SPRING 6	1	PC.
016			256343-0	COLLARED PIN 8	1	PC.
017			221479-4	SPUR GEAR 34-180	1	PC.
018			256342-2	ROD 2	1	PC.
019			424928-2	SEAL RING	1	PC.
020			144161-7	GEAR HOUSING COVER COMPLETE	1	PC.
		INC.	210003-8	BALLBEARING 685ZZ	1	PC.
021			961005-4	RETAINING RING S-9	1	PC.
022			211493-8	BALL BEARING 609DDW	1	PC.
023	2		211157-4	BALL BEARING 695ZZ	1	PC.
024	2		510471-8	ROTOR ASSY	1	PC.
		INC.		Item No. 21-23		
026			629135-4	STATOR	1	PC.
027			162272-6	HOOK	1	PC.
028			142908-3	LEVER COMPLETE	1	PC.
029			233619-2	TORSION SPRING 3	1	PC.
030			183F17-5	HOUSING SET	1	SET
		INC.	263005-3	RUBBER PIN 6	2	PC.
		INC.	252126-6	HEX LOCKING NUT M4-7	2	PC.
031			852V41-2	NAME PLATE F/DFS251	1	PC.
032			266130-9	TAP SCREW BIND PT M3X16	7	PC.
033			266490-9	TAPPING SCREW PT M2X6	3	PC.
034			144162-5	SWITCH PLATE COMPLETE	1	PC.
035			620616-1	CONTROLLER COMPLETE	1	PC.
		INC.		Item No. 36		
036			643860-3	TERMINAL	1	PC.
037			650733-3	SWITCH C3JW-4B-2L	1	PC.
039			221478-6	GEAR COMPLETE 9-23	1	PC.
040			267100-1	FLAT WASHER 6	1	PC.
041			216415-3	THRUST NEEDLE CAGE 821	1	PC.
042			216212-7	WASHER 821	1	PC.
043			261111-8	URETHANE WASHER 8	1	PC.
044			852U75-9	SERIAL NO. LABEL F/DFS251	1	PC.
045			810W86-2	2500RPM INDICATION LABEL	1	PC.
100			266622-8	+ TRUSS HEAD SCREW M4X12 F/HOOK	1	PC.
B01			197026-2	LOCATOR 5/16" SET	1	PC
		INC.		Item No. 1-3		
ACCESSORIES				- Visit www.makita.ca for more accessories information -		
A01			450963-4	LOCATOR 1/4"	1	PC.
			450968-4	LOCATOR 3/8"	1	PC.
			158876-0	LOCATOR L COMPLETE	1	PC.
			450967-6	LOCATOR 5/16"	1	PC.
A02			346449-3	HOOK F/14.4V, 18V LI-ION BATTERY	1	PC.
A04			-----	LI-ION BATTERY ACCESSORIES		
A05			-----	BATTERY CHARGER		
A06			-----	18V LI-ION BATTERY		
A07			197211-7	INTERLOCKING TOOL CASE M	1	PC.
		INC.	453974-8	LOCKING LATCH	4	PC.
A08			T-02571	FOAM INSERT F/INTERLOCK CASE	2	PC.

Item N	Type	Sub	Part No	Description	Qty	Unit
A09			A-96942	IMPACTX MAGNETIC BIT HOLDER 3"	1	PC.
			A-96992	IMPACTX MAGNETIC BIT HOLDER 3"	1	PC.
			A-99281	IMPACTX MAGNETIC BIT HOLDER 3" 10/SET	1	SET
			A-99312	IMPACTX MAGNETIC BIT HOLDER 3" 10/SET	1	SET
			784801-1	MAGNETIC BIT HOLDER 6.35-76	1	PC.
A10			B-52451	MAGNETIC BIT HOLDER 2-3/8"	1	PC.
			A-96920	IMPACTX MAGNETIC BIT HOLDER 2-3/8"	1	PC.
			A-96970	IMPACTX 1PC MAGNETIC BIT HOLDER 2-3/8"	1	PC.
			A-96936	IMPACTX MAGNETIC BIT HOLDER 2-3/8"	1	PC.
			A-96986	IMPACTX 1PC MAGNETIC BIT HOLDER 2-3/8" 10/SE IN	1	SET
			784807-9	MAGNETIC BIT HOLDER 6.35-60	1	PC.
A11			784261-7	+ BIT 2-25	1	PC.
			B-24125	DRIVER BIT PH2 1" 3/SET	1	SET
			B-24935	DRIVER BIT PH2 1" 100/SET IN JAR	1	SET
			B-25018	DRIVER BIT PH2 1" 100/SET IN BAG	1	SET
			A-96469	IMPACTX BIT PH2 1" 2/SET	1	SET
			A-96475	IMPACTX BIT PH2 1" 50/SET IN BAG	1	SET
A12			B-45076	MAGNETIC NUTSETTER 1/4"	1	PC.
			A-97112	IMPACTX MAGNETIC NUTSETTER 1/4"	1	PC.
			A-97128	IMPACTX MAGNETIC NUTSETTER 1/4" 10/SE IN BAG	1	PC.
			784803-7	MAGNETIC SOCKET BIT 1/4"	1	PC.
A13			B-45082	MAGNETIC NUTSETTER 5/16"	1	PC.
			A-97162	IMPACTX MAGNETIC NUTSETTER 5/16"	1	PC.
			A-97178	IMPACTX MAGNETIC NUTSETTER 5/16" 10/SE IN BAG	1	SET
			784804-5	MAGNETIC SOCKET BIT 5/16"	1	PC.
A14			B-45098	MAGNETIC NUTSETTER 3/8"	1	PC.
			A-97215	IMPACTX MAGNETIC NUTSETTER 3/8"	1	PC.
			A-97221	IMPACTX MAGNETIC NUTSETTER 3/8" 10/SE IN BAG	1	SET
			784802-9	MAGNETIC SOCKET BIT 3/8"	1	PC.
A15			B-45107	MAGNETIC NUTSETTER 7/16"	1	PC.
			A-97259	IMPACTX MAGNETIC NUTSETTER 7/16"	1	PC.
			A-99493	IMPACTX MAGNETIC NUTSETTER 7/16 10/SE IN BAG	1	SET